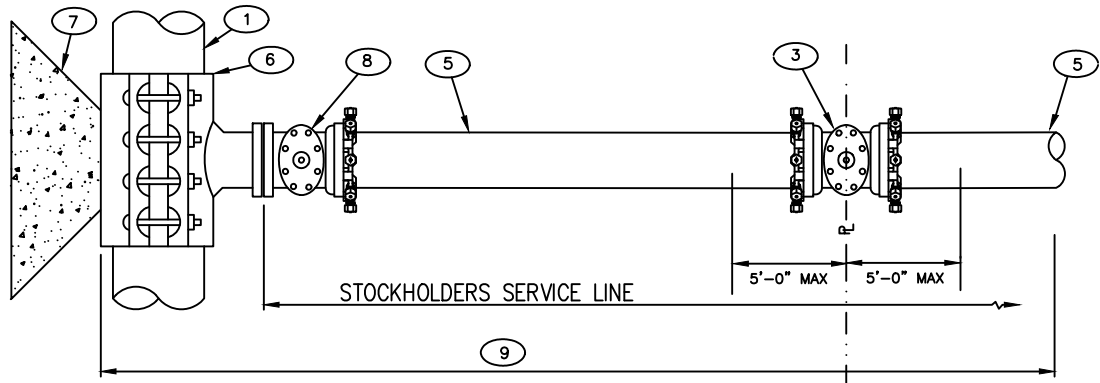
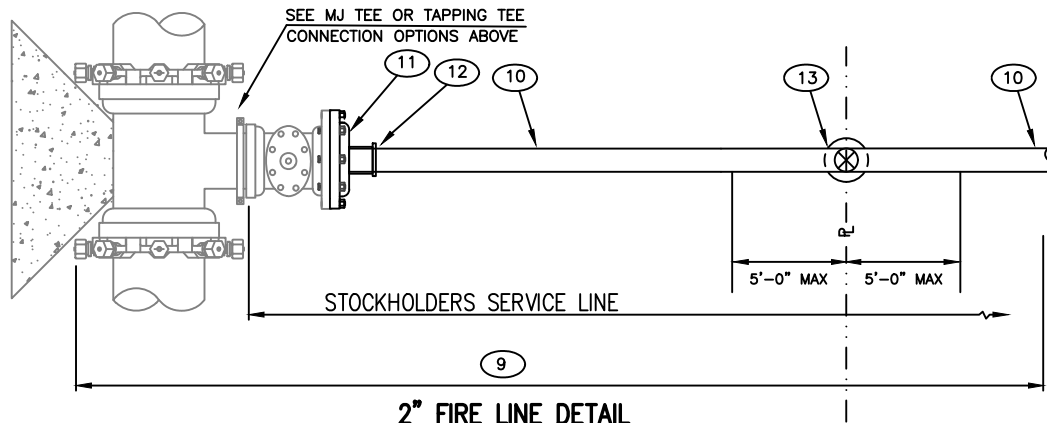


4" AND LARGER TEE CONNECTION



4" & LARGER TAPPING TEE CONNECTION



2" FIRE LINE DETAIL

KEY NOTES:

- ① WTR MAIN
- ② MJ TEE
- ③ MJ GV
- ④ ANCHOR COUPLING
- ⑤ DI PIPE FULLY RESTRAINED
- ⑥ TAPPING SLV
- ⑦ CONC KB PER DENVER WATER DETAIL
- ⑧ TAPPING VALVE FLG X MJ
- ⑨ POLYETHYLENE WRAPPED
- ⑩ 2" TYPE K COPPER
- ⑪ 4" x 2" MJ TAPPED PLUG
- ⑫ 2" MIP x COMPRESSION
- ⑬ 2" CURB STOP

THE CONSOLIDATED MUTUAL WATER COMPANY		
FIRE LINE CONNECTIONS		
DRAWN BY: HEH	DATE: 12-2020	SCALE: NTS
REVISED:		